

SONY



PXW-FS7

Solid-State Memory Camcorder

XDCM

XAVC

MPEG HD422

Exmor
CMOS Sensor

4K

NEW YORK CITY



Wide-ranging shooting functions satisfy videographers' needs

The PXW-FS7 XDCAM Series camera can be operated by just a single person in situations where the extraordinary flexibility of its α Mount System and compatible interchangeable lenses can be used to excellent advantage. That makes it suitable for a wide range of shooting projects such as documentaries, music videos and events in which mobility is a plus.

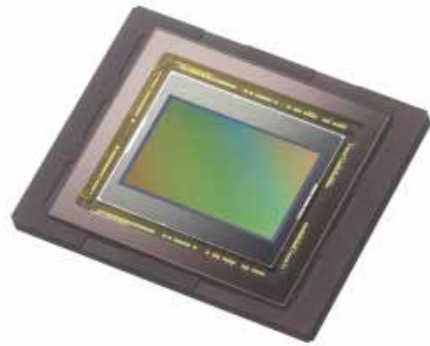
It features a 4K Super35™ "Exmor" CMOS sensor and support for shooting in 4Kⁱ/60pⁱⁱ or Full HD at a high frame rate of up to 180 fps. Selectable recording formats include XAVC, which supports 1080/60p with 4:2:2 10-bit recording and the MPEG-2 HD 422 format used by broadcast stations. Attach the optional Extension Unit (XDCA-FS7) to enable multi-camera shooting and Apple ProRes 422 recording, which will be available via firmware update in early 2015. Connect an HXR-IFR5 interface and AXS-R5 recorder to enable synced external 4K/2K RAW and internal Full HD recording.

The PXW-FS7 camera is expanding 4K recording in a remarkably convenient and affordable new direction.

ⁱ Support for QFHD 3840 x 2160 resolution will be available by the date of launch. 4096 x 2160 resolution support will be provided by firmware update scheduled for early 2015.

ⁱⁱ 59.94fps





Exmor
CMOS Sensor

Equipped with high-sensitivity 4K Super35 "Exmor" CMOS Sensor

The FS7 is equipped with a Super 35 "Exmor" CMOS Sensor with approximately 11.6 million total pixels and 8.8 million effective pixels. The high image readout speed of the image sensor allows the FS7 to support 4K motion-picture shooting and Super Slow Motion. The sensor also realizes a high sensitivity of ISO2000 and a wide dynamic range of 14 stops. Thanks to its full-pixel readout capability without pixel binning and sophisticated camera processing, jaggies and moiré are minimized.



Full HD recording with Super Slow Motion

The FS7 offers Continuous Recording at Full HD image quality and a frame rate of up to 180fps. This makes it possible to attain up to 7.5x Super Slow Motion when played back at 23.98fps.

Furthermore, support for unlimited shooting at Super Slow Motion means no more mistimed shots leading to extra takes. It also lets you pick out footage at exactly the point that you want.

Internal recording in 4Kⁱ resolution at 60fpsⁱⁱ

The FS7 supports internal recording at 4Kⁱ resolution as well as a wide range of frame rates (59.94p, 50p, 29.97p, 25p, and 23.98p). When viewed on a 4K monitor, footage shot in 4K is reproduced so clearly down to the finest details that it gives a viewer the illusion of actually being within the scene. When viewed on a Full

HD monitor, 4K footage boasts even higher resolution than footage shot in Full HD.

ⁱ Support for the QFHD 3840 x 2160 resolution will be provided at the time of launch. 4096 x 2160 resolution support will be provided with a scheduled firmware update in early 2015.

ⁱⁱ 59.94 fps

XAVC

MPEG HD422

Supports various formats

The FS7 supports two formats, XAVC and MPEG-2 HD 422, which can be selected to suit the application. Two XAVC compression systems (IntraFrame and Long GOP) are provided through an H.264/MPEG-4 AVC codec. IntraFrame supports recording with 4:2:2 10-bit sampling for 4K and Full HD, as well as a high bit rate of up to 600 Mbpsⁱ. In Long GOP, image quality and recording time are balanced to allow Full HD shooting with 4:2:2 10-bit sampling at 50, 35 or 25 Mbps, making this format suitable for longer duration shooting. Support is also provided for the MPEG2 HD 422 recording format which is mainly used at broadcast stations around the world. Supported formats and bit rates are indicated below.

ⁱ During 4K 59.94 fps recording.



S-Log3 Original



S-Log3 Grading

Support for S-Gamut3.Cine/S-Log3, S-Gamut3/S-Log3 and other log curves

The FS7 supports such log gamma curves as S-Gamut3.Cine/S-Log3 and S-Gamut3/S-Log3. Due to the fact that 18% gray is set at a bright level, S-Log3 is noted for delivering a wider dynamic range than the 1300% achieved by S-log2 incorporated in camera such as the NEX-FS700, a difference equal to 1.5 stops. The log gamma itself is close to Cineon log, so color correction is easier to perform and it is possible to achieve the look of film.

In addition, compared to the color gamut of S-Gamut3.Cine, which is geared toward reproducing the wide color gamut of DCI-P3 color space used in digital cinema, the color gamut of S-Gamut3 is geared toward the reproduction of almost all actual colors, and is thereby suitable for archival purposes. Support for S-log2, which is popular among cinematographers and videographers, is scheduled to be provided in early 2015.

Two XQD media slots support simultaneous and relay recording

The FS7's XQD card slots consist of two channels that enable simultaneous and relay recording. During relay recording, when one media becomes full, recording continues automatically to the other media. During simultaneous recording, not only can the same footage be recorded on both channels at the same time, but also one channel can be used for random shooting while the other is being used for continuous recording as backup.

Built-in ND filter unit

ND filters for adjusting the amount of light are provided in a built-in ND filter unit. This allows shooting to be done with a shallow depth of field without having to stop down the iris, even under bright conditions. The settings are Clear, 1/4 (2eV), 1/16 (4eV) and 1/64 (6eV).



Extension Unit "XDCA-FS7" for shooting support

Extension Unit "XDCA-FS7" can be connected directly to the PXW-FS7 to enable the use of functions that support the operator's shooting style or workflow.

RAW output for external 4K/2K RAW recording

The FS7's FS RAW Interface can be connected to an HXR-IFR5 interface unit and RAW AXS-R5 recorder to enable external 4K/2K RAW recording. The interface also allows the use of compatible third-party external recorders.

Full HD footage shot with the unit is time code-synchronized to allow offline editing of the content.

Support for multi-camera shooting

Precise timecode synchronization provided by Genlock and Timecode In/Out functions in the XDCA-FS7 enables multi-camera operations.

Support for Apple ProRes 422 recording

By using the optional Extension Unit XDCA-FS7, the PXW-FS7 can record ProRes 422 and ProRes 422 HQ to an XQD card in the camera.





High functionality enabling
"one-man operation"





Flexible design supports a wide range of shooting styles

The FS7 is equipped with a shoulder pad for stable shoulder-style shooting. Users can also choose other supported shooting styles including handy style, chest style (using the curved rear part of the FS7), tripod shooting, etc. depending on conditions.



Ergonomic grip design

The FS7 grip, designed for easy handling and operability, is the result of exhaustive consultation with videographers and cinematographers, as well as the production of various prototypes. The shape supports long periods of camera use and flexibly accommodates subtle differences among various users' gripping styles. The angle of the grip can be easily adjusted with the press of a button. In addition to a zoom button and Rec Start/Stop, the grip also has several programmable buttons that can be customized for easy access to any other functions such as the focus magnifier function.



Arm adjusts to user's physique and shooting posture

The length of the arm section of the FS7 can be adjusted just by turning a knob. Another knob at the joint makes it easy to adjust the angle of the camera. So a user can choose a comfortable style that suits his or her physique and shooting position.

Easy settings during one-man operation

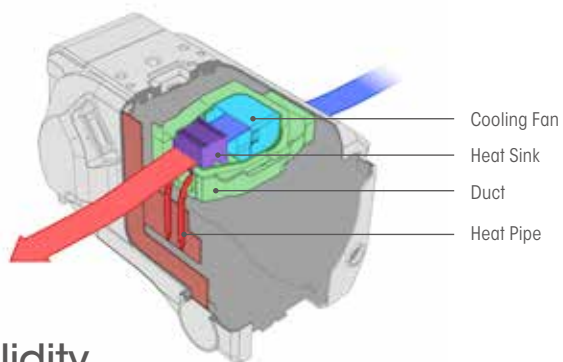
Controls are concentrated on the inside panel to make adjustments easy even during on-the-shoulder shooting.



Viewfinder

Adjustable with degrees of freedom for easy confirmation of image quality

The Peaking and Zebra function buttons and contrast knob are positioned on the side of the FS7 viewfinder for easy adjustment of focus, contrast and exposure. Also, by turning a single knob, the position of the finder can be set, allowing for degrees of freedom. The finder is designed so that people with a dominant left eye can also use it comfortably.



Solidity

Dust and moisture resistance for use even in harsh environments

The FS7 is constructed with buttons, dials and other parts specially sealed to prevent dust and water spray from entering. In addition, the cooling fan is equipped with a special duct that prevents dust and water spray from entering electric components and cool air is transmitted to the heat sink to lower accumulated temperatures. In these and other ways, the body of the FS7 is constructed to withstand tough conditions.



Built-in Multi-Interface (MI) Shoe

The FS7 is equipped with a Multi-Interface (MI) Shoe that supports connection to wireless microphone packages such as the UWP-D11 or UWP-D12 (sold separately). When connected to the shoe, the HVL-LBPC light (sold separately) can be turned on or off from the camera, and power and audio connections are provided to the UWP-D11 or UWP-D12 without cables.



α Mount System for a Wide Selection of Lenses

Adopts E-mount that is suitable for movie shooting

The FS7 incorporates the E-mount lens mount. This is especially useful for motion-picture shooting because the system supports power driven silent auto focus, iris control, power zoom and more, as well as SteadyShot image stabilization and other functions. Moreover, the E-mount system's short flange-back distance (the distance from the lens-mounting surface to the image sensor) enables use of A-mount lenses via LA-EA4 or LA-EA3 lens adapter, as well as various other lenses via third-party adapters. The E-mount system thereby makes it possible to take advantage of a wealth of lens resources suitable for creative, versatile video expression.

Zoom

Zooming is a fundamental moviemaking technique that is used for both practical framing changes as well as creative effect. "Smooth" is the key requirement here. Any tracking irregularities such as jitter or axial image shifts are unacceptable. Sony's professional camera technology combines with state-of-the-art lens design and control technologies once again to deliver exceptionally smooth tracking throughout the zoom range at any speed. And, like focus operation, zooming is quiet as well as responsive thanks to advanced mechanical and actuator design and manufacture. Lenses are individually tested to ensure that the desired level of performance is achieved in every unit.

Iris

Background bokeh (defocusing) can be just as important in movies as it is in still images. The original Sony's circular aperture design contributes to smooth, beautiful bokeh with natural highlights. Iris noise can be an issue for moviemaking too, so the quietest, most accurate and responsive control and actuator systems are used for iris operation as well.



Focus

When making movies you're frequently focusing while shooting, either with autofocus or manually. A lens that has not been designed with movies in mind might exhibit "breathing," or variations in the angle of view while focusing. That can be a jarring distraction, so Sony α mount lenses feature optical designs and control technology inherited from our professional camera that ensure an absolute minimum of breathing. Noise while focusing can also be an issue, but advanced Sony's linear motor and lens control technologies achieve quiet focusing that is also extremely responsive. Part of the reason that focus control is so quiet is that original Sony linear motors are contactless, with no gears or mechanical coupling to generate noise. Internal focusing is an advantage too, since the front element of the lens does not rotate and the overall length of the lens does not change while focusing.

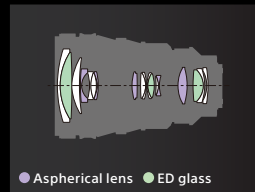
E mount FE PZ 28-135mm F4 G OSS SELP28135G

Full ED IF PZ



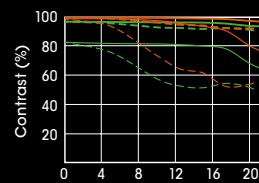
G

This top-quality powered zoom lens for 35mm full-frame format cameras has been created to satisfy professional moviemaking requirements, including the high resolution 4K format. Focus breathing and zoom image shift have been reduced to an absolute minimum, while aspherical elements and advanced multi-coating technology effectively suppress aberration. Quiet operation is also a priority, so an SSM (Super Sonic wave Motor) drive system has been employed for precise, quiet zooming. Independent control rings for zoom, focus, and aperture are provided for the first time in an α lens. Built-in Optical SteadyShot image stabilization adds to the extraordinary performance of this outstanding lens.

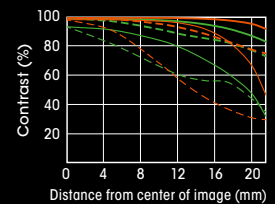


- Lens groups/elements: 12 / 18
- Minimum focus: 0.4 m (AF) / 0.95 m (MF)
- Filter diameter: 95 mm
- Size: 105 mm (diameter) x 162.5 mm (length)
- Weight: approx. 1215 g (without tripod mount)

■ 28 mm focal length



■ 135 mm focal length



Max. aperture

- R 10 line pairs/mm
- R 30 line pairs/mm
- - - T 10 line pairs/mm
- - - T 30 line pairs/mm

F8

- R 10 line pairs/mm
- R 30 line pairs/mm
- - - T 10 line pairs/mm
- - - T 30 line pairs/mm

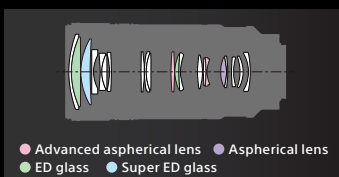
(R: radial target, T: tangential target)

E mount FE 70-200 F4 G OSS SEL70200G

Full ED Nano AR Coating OSS



G



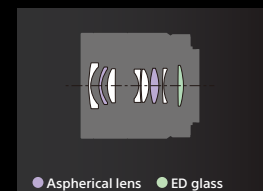
- Lens groups/elements: 15/21
- Minimum focus: 1.0 m (wide) - 1.5 m (Tele)
- Filter diameter: 72 mm
- Size: 80 mm (diameter) x 175 mm (length)
- Weight: approx. 840 g (without tripod mount)

E mount Sonnar T* E 24mm F1.8 ZA SEL24F18Z

APS-C ED IF



ZEISS



- Lens groups/elements: 7/8
- Minimum focus: 0.16 m
- Filter diameter: 49 mm
- Size: 63 mm (diameter) x 65.5 mm (length)
- Weight: approx. 225 g

Specifications

PXW-FS7	
General	
Mass	Approx. 2.0 kg (body only) Approx. 4.5 kg (with Viewfinder, Eyepiece, Grip Remote Control, BP-U30 battery, SELP28135G LENS, an XQD memory card) 156 x 239 x 247 mm (body without protrusions)
Dimensions (W x H x D)*	
Power Requirements	DC 12 V
Power Consumption	Approx. 19 W (while recording XAVC-I QFHD 59.94P, SELP28135G Lens, Viewfinder ON, not using external device)
Operating Temperature	0°C to 40°C (32°F to 104°F)
Storage Temperature	-20°C to +60°C (-4°F to +140°F)
Battery Operating Time	Approx. 1 hrs with BP-U30 battery (while recording XAVC-I QFHD 59.94P, SELP28135G Lens, Viewfinder ON, not using external device) Approx. 2 hrs with BP-U60 battery (while recording XAVC-I QFHD 59.94P, SELP28135G Lens, Viewfinder ON, not using external device) Approx. 3 hrs with BP-U90 battery (while recording XAVC-I QFHD 59.94P, SELP28135G Lens, Viewfinder ON, not using external device)
Recording Format (Video)	
<XAVC Intro> XAVC-I mode: QFHD 59.94P, CBG, bit rate 600Mbps, MPEG-4 H.264/AVC XAVC-I mode: QHD 50P, CBG, bit rate 500Mbps, MPEG-4 H.264/AVC XAVC-I mode: QHD 29.97P, CBG, bit rate 300Mbps, MPEG-4 H.264/AVC XAVC-I mode: QFHD 23.98P, CBG, bit rate 240Mbps, MPEG-4 H.264/AVC XAVC-I mode: QFHD 25P, CBG, bit rate 250Mbps, MPEG-4 H.264/AVC XAVC-I mode: HD 59.94P, VBR, maximum bit rate 222Mbps, MPEG-4 H.264/AVC XAVC-I mode: HD 50P, VBR, maximum bit rate 185Mbps, MPEG-4 H.264/AVC XAVC-I mode: HD 59.94i, VBR, maximum bit rate 111Mbps, MPEG-4 H.264/AVC XAVC-I mode: HD 50i, VBR, maximum bit rate 112Mbps, MPEG-4 H.264/AVC XAVC-I mode: HD 29.97P, VBR, maximum bit rate 111Mbps, MPEG-4 H.264/AVC XAVC-I mode: HD 23.98P, VBR, maximum bit rate 89Mbps, MPEG-4 H.264/AVC XAVC-I mode: HD 25P, VBR, maximum bit rate 112Mbps, MPEG-4 H.264/AVC <XAVC Long> XAVC-L QFHD 59.94P/50P mode: VBR, maximum bit rate 150Mbps, MPEG-4 H.264/AVC XAVC-L QFHD 29.97P/23.98P/25P mode: VBR, maximum bit rate 100Mbps, MPEG-4 H.264/AVC XAVC-L HD 50 mode: VBR, maximum bit rate 50Mbps, MPEG-4 H.264/AVC XAVC-L HD 35 mode: VBR, maximum bit rate 35Mbps, MPEG-4 H.264/AVC XAVC-L HD 25 mode: VBR, maximum bit rate 25Mbps, MPEG-4 H.264/AVC <MPEG-2 Long GOP> MPEG HD422 mode: CBR, maximum bit rate 50Mbps, MPEG-2 422P@HL LPCM 24 bits, 48 kHz, 4 channels (Recording/Playback ONLY 2channels)	
Recording Format (Audio)	
Recording Frame Rate	<XAVC Intro> XAVC-I QFHD mode: 3840x2160/59.94P, 50P, 29.97P, 23.98P, 25P XAVC-I HD mode: 1920x1080/59.94P, 50P, 59.94i, 50i, 29.97P, 23.98P, 25P <XAVC Long> XAVC-L QFHD mode: 3840x2160/59.94P, 50P, 29.97P, 23.98P, 25P XAVC-L HD 50 mode: 1920x1080/59.94P, 50P, 59.94i, 50i, 29.97P, 23.98P, 25P XAVC-L 35 mode: 1920x1080/59.94P, 50P, 59.94i, 50i, 29.97P, 23.98P, 25P XAVC-L 25 mode: 1920x1080/59.94i, 50i <MPEG-2 Long GOP> MPEG HD422 mode: 1920x1080/59.94i, 50i, 29.97P, 23.98P, 25P 1280x720/59.94P, 50P, 29.97P, 23.98P, 25P
Recording/Playback Time	
<XAVC Intro> XAVC-I mode QFHD 59.94P When using QD-G128A (128GB): Approx. 22 minutes, When using QD-G64A (64GB): Approx. 11 minutes XAVC-I mode QFHD 50P When using QD-G128A (128GB): Approx. 26 minutes, When using QD-G64A (64GB): Approx. 13 minutes XAVC-I mode QFHD 29.97P When using QD-G128A (128GB): Approx. 44 minutes, When using QD-G64A (64GB): Approx. 22 minutes XAVC-I mode QFHD 23.98P When using QD-G128A (128GB): Approx. 55 minutes, When using QD-G64A (64GB): Approx. 27 minutes XAVC-I mode QFHD 25P When using QD-G128A (128GB): Approx. 52 minutes, When using QD-G64A (64GB): Approx. 26 minutes XAVC-I mode HD 59.94P When using QD-G128A (128GB): Approx. 59 minutes, When using QD-G64A (64GB): Approx. 30 minutes XAVC-I mode HD 50P When using QD-G128A (128GB): Approx. 71 minutes, When using QD-G64A (64GB): Approx. 35 minutes XAVC-I mode HD 59.94i When using QD-G128A (128GB): Approx. 118 minutes, When using QD-G64A (64GB): Approx. 59 minutes XAVC-I mode HD 50i When using QD-G128A (128GB): Approx. 141 minutes, When using QD-G64A (64GB): Approx. 70 minutes XAVC-I mode HD 29.97P When using QD-G128A (128GB): Approx. 118 minutes, When using QD-G64A (64GB): Approx. 59 minutes XAVC-I mode HD 23.98P When using QD-G128A (128GB): Approx. 147 minutes, When using QD-G64A (64GB): Approx. 74 minutes XAVC-I mode HD 25P When using QD-G128A (128GB): Approx. 141 minutes, When using QD-G64A (64GB): Approx. 70 minutes <XAVC Long> XAVC-L mode QFHD 59.94P/50P When using QD-G128A (128GB): Approx. 87 minutes, When using QD-G64A (64GB): Approx. 44 minutes XAVC-L mode QFHD 29.97P/23.98P/25P mode: When using QD-G128A (128GB): Approx. 131 minutes, When using QD-G64A (64GB): Approx. 66 minutes XAVC-L 50 mode When using QD-G128A (128GB): Approx. 262 minutes, When using QD-G64A (64GB): Approx. 131 minutes XAVC-L 35 mode When using QD-G128A (128GB): Approx. 374 minutes, When using QD-G64A (64GB): Approx. 187 minutes XAVC-L 25 mode When using QD-G128A (128GB): Approx. 524 minutes, When using QD-G64A (64GB): Approx. 262 minutes <MPEG-2 Long GOP> MPEG HD422 mode When using QD-G128A (128GB): Approx. 262 minutes, When using QD-G64A (64GB): Approx. 131 minutes	

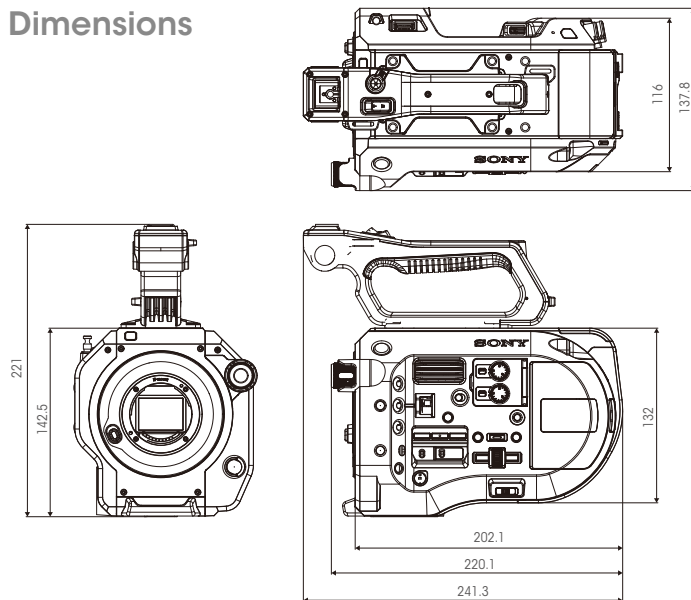
PXW-FS7	
Lens	
Lens Mount	E-mount
Camera Section	
Imaging Device (Type)	Super35 type Single-chip Exmor CMOS
Effective Picture Elements	17.9 4096 (H) x 2160 (V) 16:9 3840 (H) x 2160 (V)
Build-in Optical Filters	OFF Clear, 1/4ND, 1/16ND, 1/64ND
Sensitivity (2000 lx, 89.9% reflectance)	Video Gamma: T1.4 (3840 x 2160/23.98P mode 3200K)
ISO Sensitivity	ISO 2000 (S-Log3 Gamma D55 Light source)
Minimum Illumination	0.7 lx (+18dB, 23.98P Shutter OFF, ND Clear, F1.4)
S/N Ratio	57 dB (Y) (typical)
Shutter Speed	1/3 sec to 1/9,000 sec
Slow & Quick Motion Function	XAVC-I mode 3840x2160: 1 to 60 frames (59.94P, 50P, 29.97P, 23.98P, 25P) XAVC-I mode 1920x1080: 1 to 180 frames (59.94P, 29.97P, 23.98P), 1 to 150 frames (50P, 25P) XAVC-L mode 3840x2160: 1 to 60 frames (59.94P, 50P, 29.97P, 23.98P, 25P) XAVC-L mode 1920x1080: 1 to 120 frames (59.94P, 50P, 29.97P, 23.98P, 25P)
White Balance	Preset, Memory A, Memory B (1500K-5000K)/ATW
Gain	-3, 0, 3, 6, 9, 12, 18 dB, AGC
Gamma Curve	STD, HG, User, S-Log3
Input/Output	
Audio Input	XLR-type 3-pin (female) (x2), line/mic/mic +48 V selectable, Mic Reference: -40, -50, -60dBu
SDI Output	BNC (x2), switchable with 3G-SDI/HD-SDI SMPTE292M/424M/425M
USB	USB device, mini-B (x1)
Headphone Output	Stereo mini jack (x1), -16dBu 1.6Ω
Speaker Output	Monaural
DC Input	DC jack
Remote	Stereo mini-minijack (ø2.5 mm)
HDMI Output	Type A (x1)
Option	4-pin, Type A for W-LAN (x1)
Monitoring	
Build-in LCD Monitor	8.8 cm (3.5 type), Approx. 1.56M dots
Build-in Microphone	
Omni-directional monaural electret condenser microphone.	
Media	
Type	XQD Card slot (x2) SD Card slot (x1) for saving configuration data
Supplied Accessories	
Boyd Cap (1) Viewfinder (1) Eyepiece (1) Grip Remote Control (1) USB wireless LAN module: FUJ-WLM3 (1) Wireless remote commander (1) (RMT-845) WA Adaptor Bracket (1) MPR-AC1 AC Adaptor (1) BC-U1 battery charger (1) BP-U30 battery pack (1) Power cord (2) USB cable (1) Operating Guide (2) CD-ROM "Manuals for Solid-State Memory Camcorder" (1)	

* The values for dimensions are approximate.

Accessories

 BP-U30/BP-U60/ BP-U60T/BP-U90 Rechargeable Battery pack	 BC-U1/BC-U2 Battery Charger/ AC Adaptor	 HVL-LBPC Battery Video Light	 UWP-D11/UWP-D12 Wireless Microphone Package	 SMAD-P3 MI Shoe Mount Adaptor * required for cable-free operation with UWP-D11/UWP-D12
 ECM-VG1 Electret Condenser Microphone	 ECM-MS2 Electret Condenser Microphone	 QD-G128A/QD-G64A/ QD-G32A XQD Memory Card	 CBK-WA100 Wireless Adaptor	 VCT-FS7 Light Weight Rod Support

Dimensions



Unit: mm (inches)

©2014 Sony Corporation. All rights reserved.
Reproduction in whole or in part without written permission is prohibited.
Features and specifications are subject to change without notice.
The values for mass and dimension are approximate.
Sony and Sony logo are trademarks of Sony Corporation.
XQD logo is a trademark of CompactFlash Association.
XDCAM, MPEG HD422, XAVC, α Mount System and their respective logos are trademarks of Sony Corporation.
All other trademarks are the property of their respective owners.

Distributed by